

PS490 (B390)

(RoHS Compliant Materials)

PS490 (B390)

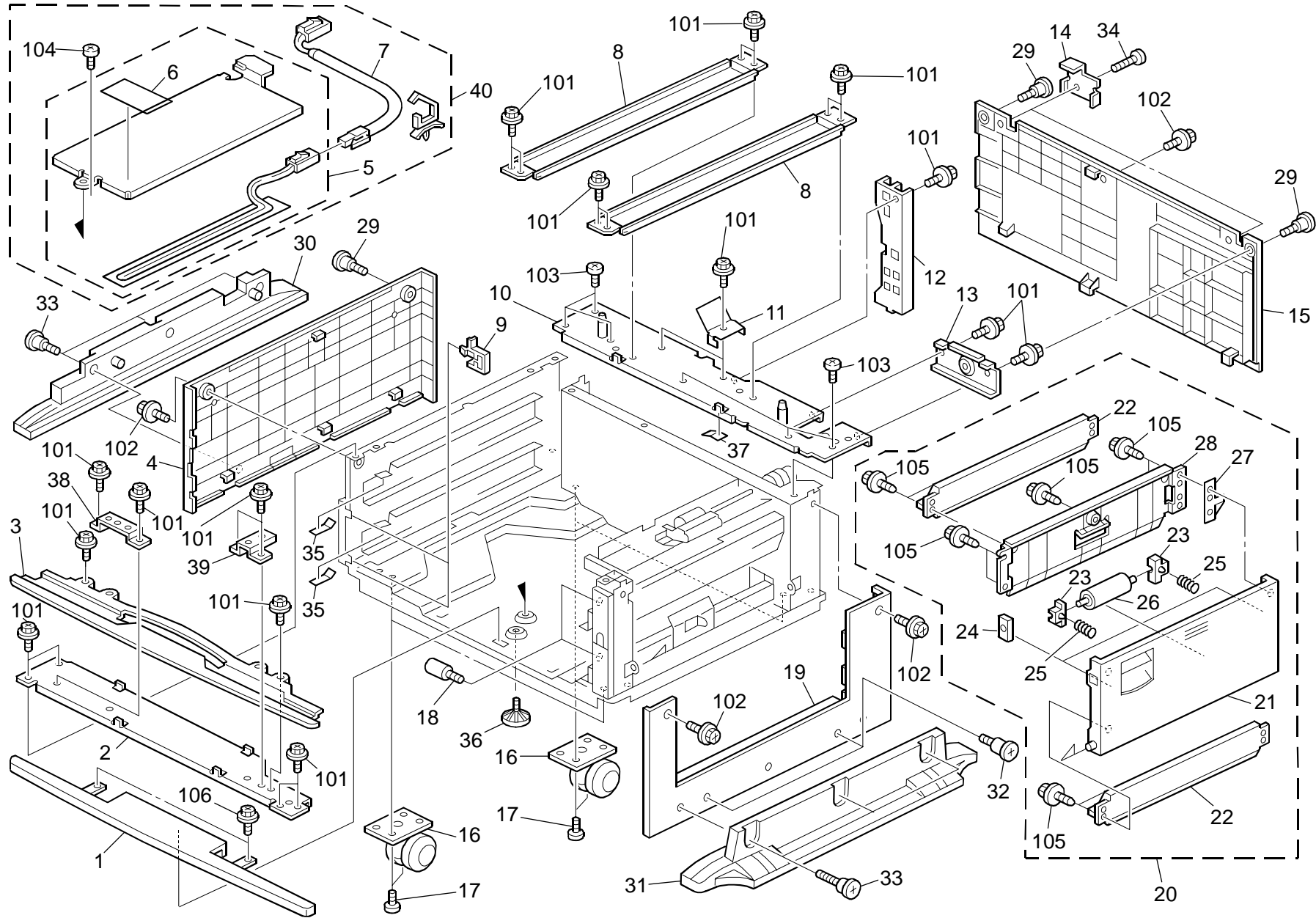
PARTS CATALOG

This catalog gives the numbers and names of parts on this machine.

1.EXTERIOR (B390).....	2
2.PAPER TRAY (B390)	4
3.PAPER FEED/TRANSFER (B390).....	6
4.ELECTRICAL SECTION1 1 (B390).....	8
5.ELECTRICAL SECTION1 2 (B390).....	10
6.ELECTRICAL SECTION1 3 (B390).....	12
7.DECALS AND DOCUMENTS (B390).....	14
PARTS INDEX.....	17

July ,01 ' 2005

1.EXTERIOR (B390)

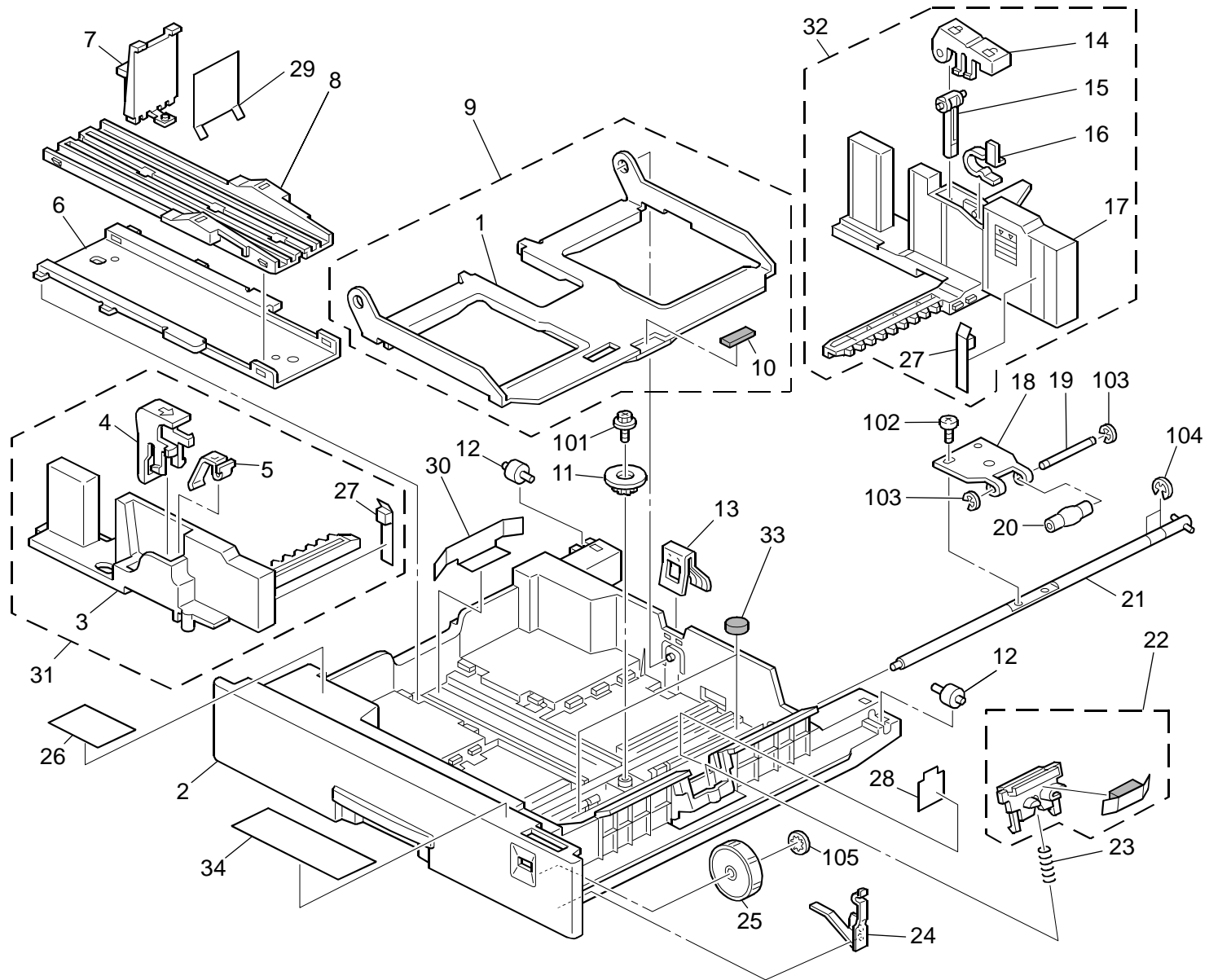


1.EXTERIOR (B390)

Index No.	Part No.	Description	Q'ty Per Assembly
1	B384 1290	Front Lower Cover	1
2	B384 1110	Upper Front Stay	1
3	B384 1208	Front Upper Cover	1
4	B390 1255	Left Cover	1
5	B384 5520	Tray Heater - 15W	1
6	AA00 0401	Decal - High Temperature	1
7	B390 5340	Harness:Heater:Ass'y	1
8	B384 1120	Upper Left Stay	2
9	A267 2589	Shoe - Supporter	2
10	B390 1114	Stay:Upper Rear:Bali:Peen	1
11	B384 1146	Spring Plate	2
12	B384 1170	Harness Guide	1
13	B384 1117	Bracket - Upper Rear Stay	1
14	A860 6140	Bracket - Joint	2
15	B384 1270	Rear Cover	1
16	AH01 2026	Caster	4
17	A507 1096	Philips Screw - M5x6	16
18	B390 1063	Pin:Mm7.2:L6.5	2
19	B390 1265	Right Cover	1
20	B390 2600	Cover:Vertical Transport:Bali-b:Ass'y	1
21	B384 2610	Vertical Transport Cover	1
22	A860 2620	Guide Plate - Entrance	2
23	AA08 0249	Bushing - Vertical Transport	2
24	AG07 0014	Magnet Catch	2
25	AA06 3334	Spring - Vertical Transport	2
26	AF02 2118	Pull Out Roller - Option Tray	1
27	A860 2626	Spring Plate - Grounding	1
28	B390 2625	Guide Plate:Cover:Vertical Transport	1
29	B390 1759	Shaft:Scale	3
30	A860 6220	Left Stand	1
31	A860 6215	Right Stand	1
32	A860 6230	Screw - M3	2
33	B390 4351	Screw:Fix:Tray:Exit	6
34	AA14 3508	Flat Knob Screw - M4x10	2
35	A860 1195	Film - Guard	2

Index No.	Part No.	Description	Q'ty Per Assembly
36	B390 1125	Adjusting Pin:Base	1
37	A860 1197	Film - Guard	2
38	B384 1132	Front Left Bracket	1
39	B384 1131	Front Right Bracket	1
40	B390 6300	Option:Heater:Bali-b	1
101	0451 3006B	Tapping Screw - M3x6	
102	0451 3008N	Tapping Screw - M3x8	
103	0453 3008N	Binding Self Tapping Screw:3x8	
104	0950 3006N	Screw:Spring Washer:M3x6	
105	0450 3010N	Tapping Screw - M3x10	
106	0802 5276	Tapping Screw With Washer - M3x6	

2.PAPER TRAY (B390)

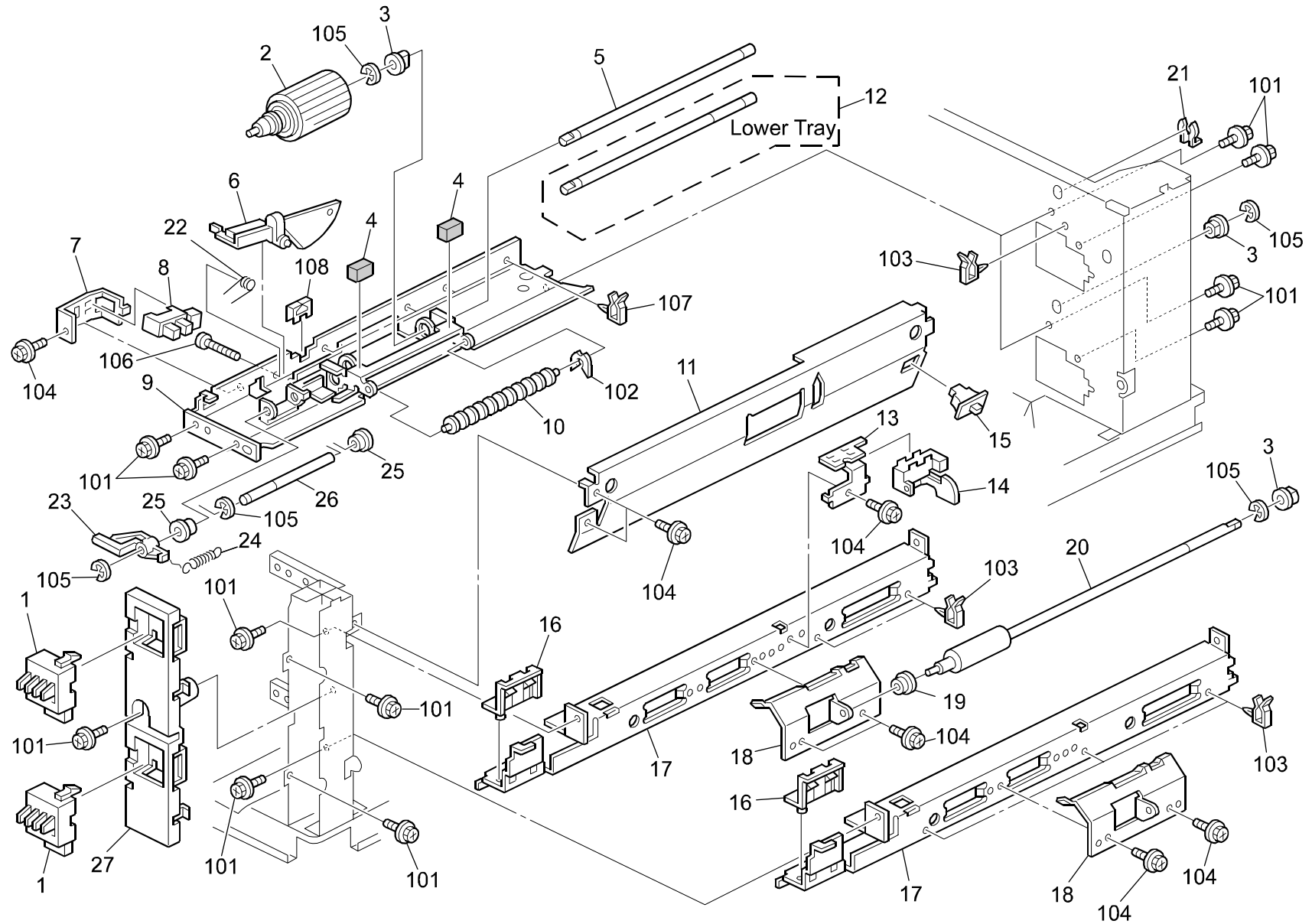


2.PAPER TRAY (B390)

Index No.	Part No.	Description	Q'ty Per Assembly
*	B390 7341	Paper Tray:Paper Bank:Bali-b:EXP:Ass'y	1
1	B024 2910	Tray Bottom Plate	1
2	B024 2850	Paper Tray	1
3	B024 2851	Front Side Fence	1
4	A267 2858	Front Stopper Lever	1
5	G697 2677	Spring Plate - Side Fence	1
6	B024 2874	Lower Slider - End Fence	1
7	A267 2853	End Fence	1
8	B024 2866	Upper Slider - End Fence	1
9	B024 2861	Bottom Plate	1
10	A267 2917	Base Pad	1
11	A267 2869	Gear - 16Z	1
12	A232 2987	Roller - Paper Tray	2
13	A267 2878	Spring Plate - Grounding	1
14	A267 2860	Rear Lever Stopper	1
15	A267 2859	Side Fence Stopper	1
16	A267 2857	Spring Plate - Side Fence	1
17	B024 2852	Rear Side Fence	1
18	B024 2856	Lift Plate - Bottom Plate	1
19	B390 2865	Shaft:Roller:Rise	1
20	A267 2864	Roller Bracket	1
21	B390 2854	Shaft:Rise:Tray Bottom Plate:Press Fit	1
22	B390 2831	Friction Pad:Stinger:Adhesion	1
23	A267 2834	Pressure Spring - Friction Pad	1
24	B390 2870	Spring Plate:Paper Size Sensor:Ass'y	1
25	B024 7343	Paper Size Detector	1
26	B027 2892	Paper Set Decal	1
27	A267 2897	Shield - Side Fence	2
28	A267 2898	Sheet - Paper Tray Holder	1
29	A267 2900	Seal - End Fence	1
30	A267 2875	Spring Plate - Slider	1
31	B024 2884	Front Side Fence Assembly	1
32	B024 2885	Rear Side Fence Assembly	1
33	A267 2899	Sponge - Paper Feed Tray	2
34	B090 2961	Decal - Paper Size Select	1

Index No.	Part No.	Description	Q'ty Per Assembly
101	0450 4008N	Tapping Screw - M4x8	
102	0354 0060N	Screw-m4x6	
103	0720 0030E	Retaining Ring - M3	
104	0720 0060E	Retaining Ring - M6	
105	0805 0083	Retaining Ring - M4	

3.PAPER FEED/TRANSFER (B390)

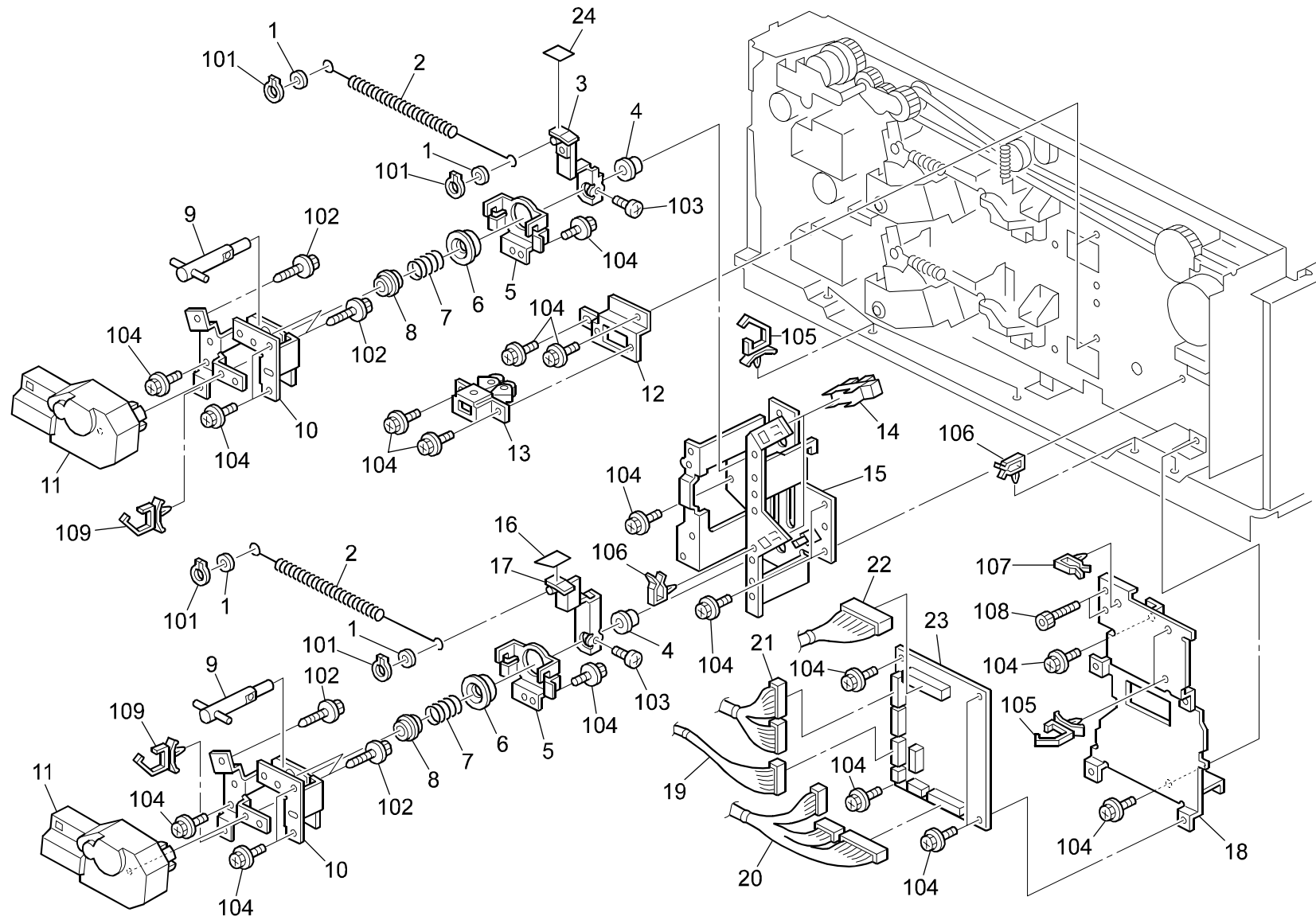


3.PAPER FEED/TRANSFER (B390)

Index No.	Part No.	Description	Q'ty Per Assembly
1	G020 2620	Push Switch - Paper Size	2
2	A267 2751	Paper Feed Roller	1
3	5053 0447	Bushing - 6mm	4
4	A860 2559	Cushion Guide Plate	4
5	AA14 1713	Shaft:Paper Feed Roller	1
6	A267 2803	Feeler - Paper End Sensor	2
7	B024 2805	Bracket - Paper End Sensor	2
8	AW02 0141	Photointerruptor	2
9	B384 2555	Feed Roller Bracket	2
10	A860 2560	Roller - Guide	2
11	B390 2641	Guide Plate:Vertical Transport	1
12	AA14 1714	Shaft:Paper Feed Roller:No.2	1
13	B024 2660	Vertical Sensor Bracket	1
14	AW02 0173	Photointerruptor:Vertical Transport	1
15	G020 5626	Push Switch	1
16	A267 2588	Shoe - Right Rail	2
17	B384 1090	Right Guide Rail	2
18	B024 2842	Bracket - Friction Pad Guide	2
19	AA08 0252	Bushing - M4	1
20	AF02 0476	Vertical Transport Roller	1
21	5447 2681	Snap Ring	1
22	A860 2558	Torsion Spring Lever	2
23	A267 2786	Lock Lever - Feed Roller	2
24	A267 2787	Tension Spring - Lock Lever	2
25	A267 2847	Bushing - Motor Shaft	4
26	B390 2785	Shaft:Lock:Paper Feed Roller	2
27	B384 2910	Cover - Paper Size Switch	1

Index No.	Part No.	Description	Q'ty Per Assembly
101	0802 5276	Tapping Screw With Washer - M3x6	
102	0805 0092	Retaining Ring - 3m	
103	1105 0267	Harness Clamp - YMC-10-0	
104	0451 3006B	Tapping Screw - M3x6	
105	0720 0040E	Retaining Ring - M4	
106	0314 0140N	Pan Head Screw:M4x14	
107	1105 0283	Clamp	
108	1105 0328	Harness Clamp - ES-0505	

4.ELECTRICAL SECTION1 1 (B390)

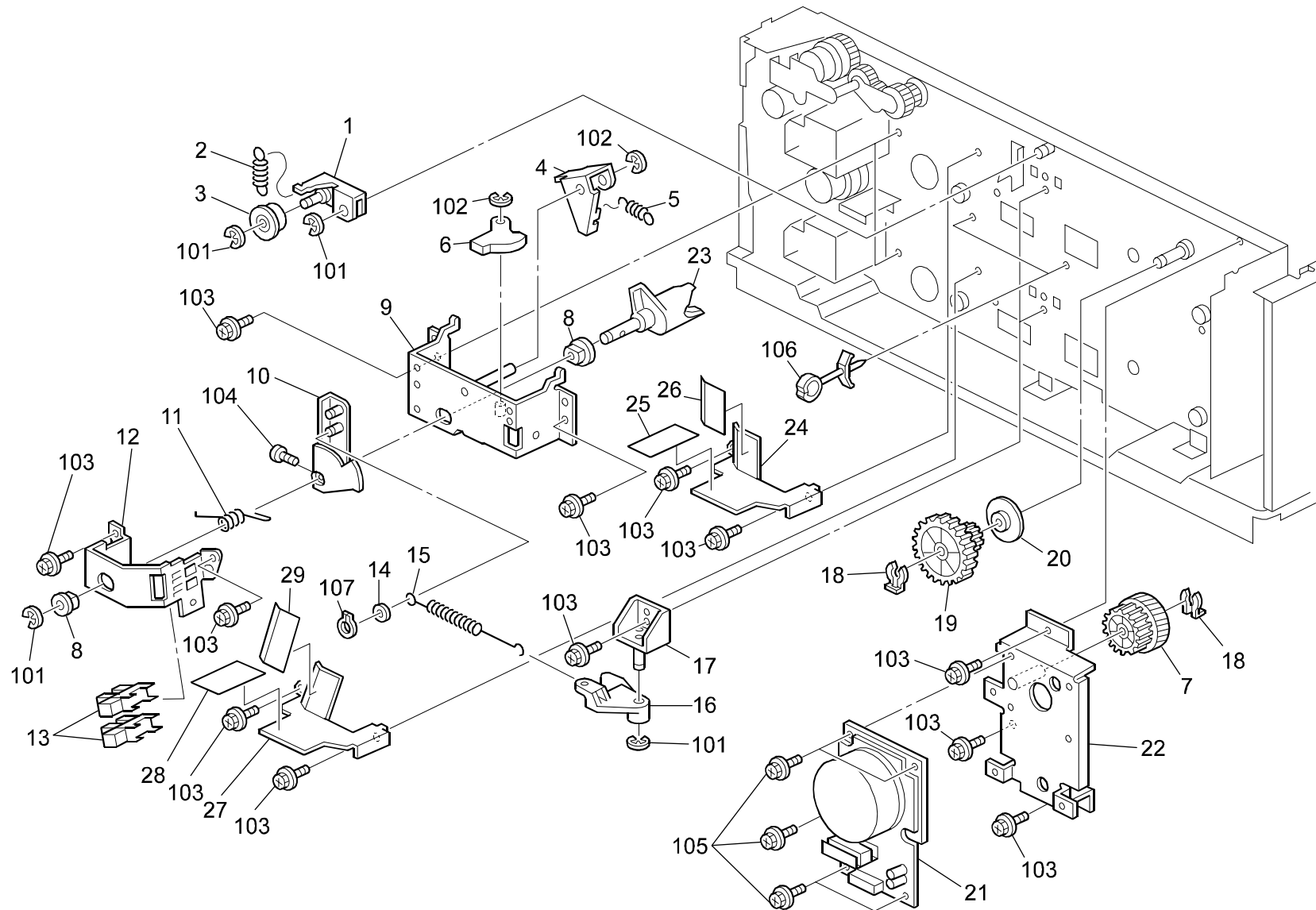


4.ELECTRICAL SECTION1 1 (B390)

Index No.	Part No.	Description	Q'ty Per Assembly
1	AA13 2207	Spacer - M7	4
2	A267 2771	Tension Spring - Main	2
3	B390 2709	Lever:Lift Motor:Paper Bank:Ass'y	1
4	A267 2847	Bushing - Motor Shaft	2
5	B384 2728	Spring Holder Bracket	2
6	A267 2846	Holder - Spring	2
7	A267 2844	Compression Spring - Return	2
8	A267 2845	Bushing - DC Motor Shaft	2
9	B390 2840	Shaft:Dc Motor:Ass'y	2
10	B384 2726	Lift Motor Bracket	2
11	AX04 0220	DC Motor:Paper Feed:Ass'y	2
12	B024 2908	Tray Holder Bracket	2
13	G697 1082	Tray Holder	2
14	AW02 0141	Photointerruptor	2
15	B384 2720	Main Bracket - Lift Motor	1
16	A860 2715	Sensor Actuator Seal 2	1
17	B390 2895	Lever:Dc Motor:Bank:Peen	1
18	B384 1161	Interface Board Bracket	1
19	A860 5320	DC Harness - Paper Size Sensor	1
20	A860 5310	DC Main Harness	1
21	A860 5350	DC Harness - Motor	1
22	A860 5330	DC Harness - Interface	1
23	B390 5110	PCB:Bank:Ass'y	1
24	A860 2714	Sensor Actuator Seal	1

Index No.	Part No.	Description	Q'ty Per Assembly
101	0727 0060E	Retaining Ring - M6	
102	0450 4020N	Tapping Screw - M4x20	
103	0801 0150	Philips Screw - M4x8	
104	0451 3006N	Tapping Screw - 3x6	
105	1105 0310	Harness Clamp - LWS-1S	
106	1105 0290	Harness Clamp - Horizontal	
107	1105 0267	Harness Clamp - YMC-10-0	
108	0594 0080N	Hexagonal Set Screw - M4x8	

5.ELECTRICAL SECTION1 2 (B390)

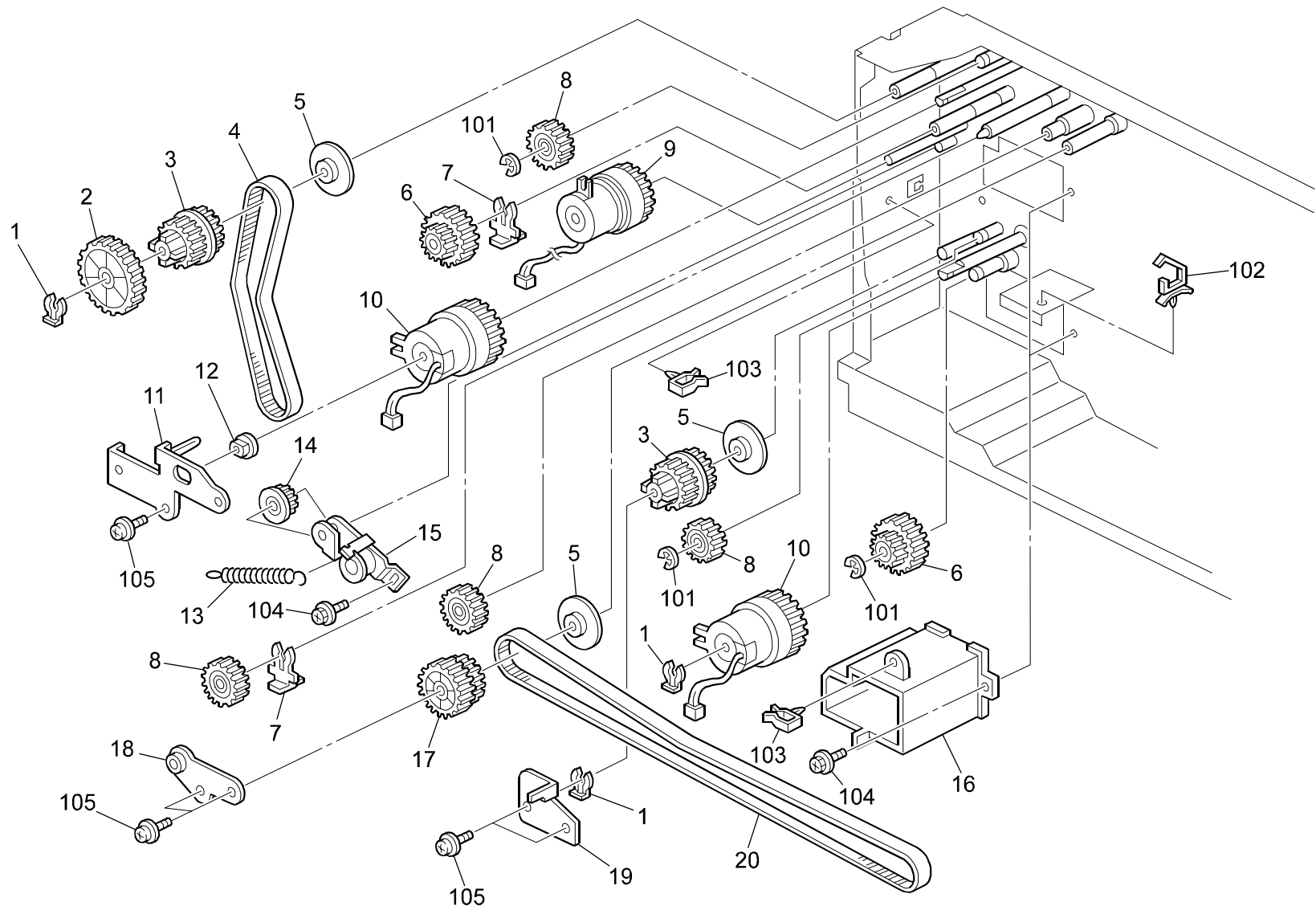


5.ELECTRICAL SECTION1 2 (B390)

Index No.	Part No.	Description	Q'ty Per Assembly
1	B390 2821	Tensioner:Ass'y	1
2	AA06 0821	Tension Spring - Drive	1
3	AB03 0564	Pulley - M17	1
4	B024 2765	Pressure Lever Stopper	2
5	A267 2766	Tension Spring - Stopper	2
6	A267 2770	Vibrating Plate	2
7	AB01 7506	Gear - 59Z/33Z	1
8	AA08 2070	Bushing - 8x16x7	4
9	B390 2815	Bracket:Rise:1:Ass'y	2
10	B390 2893	Lever:Rise:Paper Volume Sensor:Bank:Peen	2
11	A267 2767	Torsion Spring - Joint	2
12	B024 2773	Lift Sensor Bracket	2
13	AW02 0141	Photointerruptor	4
14	AA13 2207	Spacer - M7	2
15	A267 2772	Tension Spring - Sub	2
16	A267 2794	Sub Pressure Lever	2
17	B390 2781	Bracket:Lever:Pressure:Ass'y	2
18	5215 2621	Snap Ring - M6	1
19	AB03 0636	Timing Pulley - Drive	1
20	AA13 2205	Spacer - Timing Belt	1
21	AX06 0313	DC Motor:Brushless Motor:Ns	1
22	B390 2810	Bracket:Dc Motor:Peen	1
23	B390 2756	Joint:Shaft:Rise:Ass'y	2
24	B384 1190	Upper Spring Guard	1
25	A860 1196	Film - Guard	1
26	A860 1197	Film - Guard	1
27	B384 1191	Lower Spring Guard	1
28	A860 1198	Film - Guard-3	1
29	A860 1199	Film - Guard-4	1

Index No.	Part No.	Description	Q'ty Per Assembly
101	0720 0060E	Retaining Ring - M6	
102	0720 0040E	Retaining Ring - M4	
103	0451 3006B	Tapping Screw - M3x6	
104	0801 0150	Philips Screw - M4x8	
105	0451 3008N	Tapping Screw - M3x8	
106	1105 0462	Harness Clamp	
107	0727 0060E	Retaining Ring - M6	

6.ELECTRICAL SECTION1 3 (B390)



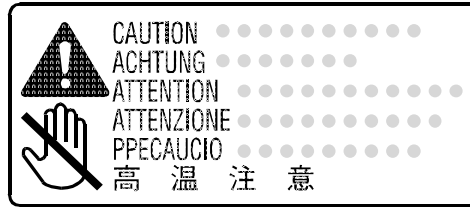
6.ELECTRICAL SECTION1 3 (B390)

Index No.	Part No.	Description	Q'ty Per Assembly
1	5215 2621	Snap Ring - M6	3
2	AB01 1410	Gear - 44Z	1
3	AB03 0637	Timing Pulley - 24T/25Z	2
4	AA04 3530	Timing Belt	1
5	AA13 2205	Spacer - Timing Belt	3
6	AB01 7507	Gear - 30Z/24Z	2
7	A860 2830	Stopper - M6	2
8	AB01 1409	Gear - 23Z	4
9	AX20 0290	Magnetic Clutch:0.25n M:Z38	1
10	AX20 0291	Magnetic Clutch:0.5n M:Z39:Ogr	2
11	B384 2840	Bracket - Paper Feed Clutch	1
12	5053 0447	Bushing - 6mm	1
13	AA06 0799	Tension Spring	1
14	AB03 0627	Timing Pulley - 18T	1
15	B390 2602	Ass'y	1
16	A267 2596	Right Drive Guard	1
17	AB03 0635	Timing Pulley - Paper Feed	1
18	B384 2860	Upper Bracket - Paper Feed	1
19	B384 2850	Lower Bracket - Paper Feed	1
20	AA04 3529	Timing Belt - Drive	1

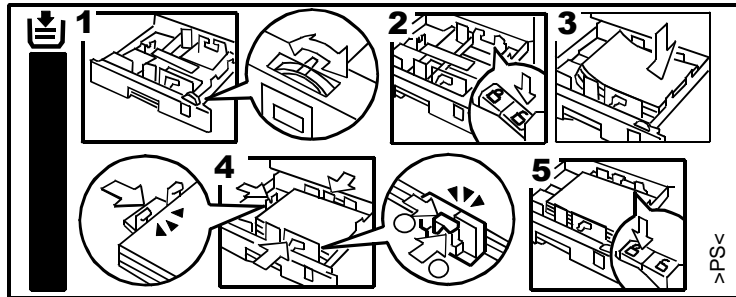
Index No.	Part No.	Description	Q'ty Per Assembly
101	0720 0060E	Retaining Ring - M6	
102	1105 0310	Harness Clamp - LWS-1S	
103	1105 0267	Harness Clamp - YMC-10-0	
104	0451 3006B	Tapping Screw - M3x6	
105	0951 3006N	Screw - M3X6	

7.DECALS AND DOCUMENTS (B390)

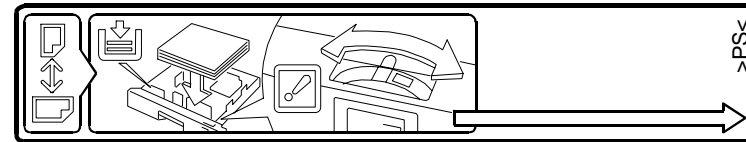
1



2



3



7.DECALS AND DOCUMENTS (B390)

Index No.	Part No.	Description	Q'ty Per Assembly
1	AA00 0401	Decal - High Temperature	1
2	B027 2892	Paper Set Decal	1
3	B090 2961	Decal - Paper Size Select	1

Index No.	Part No.	Description	Q'ty Per Assembly
-----------	----------	-------------	-------------------

Parts Index

PM Parts Index

Section Name	Part No.	Description in Service Manual	Description in Parts Catalog	Q'ty Per Assembly	Page and Index No.
PAPER TRAY (B390)	A860 2831	Friction Pad	Friction Pad	1	5- 22
PAPER FEED/TRANSFER (B390)	A267 2751	Paper Feed Roller	Paper Feed Roller	1	7- 2

Parts Index

Part No.	Description	Page and Index No.
B390 1063	Pin:Mm7.2:L6.5	3 - 18
B390 1114	Stay:Upper Rear:Bali:Peen	3 - 10
B390 1125	Adjusting Pin:Base	3 - 36
B390 1255	Left Cover	3 - 4
B390 1265	Right Cover	3 - 19
B390 1759	Shaft:Scale	3 - 29
B390 2600	Cover:Vertical Transport:Bali-b:Ass'y	3 - 20
B390 2602	Ass'y	13 - 15
B390 2625	Guide Plate:Cover:Vertical Transport	3 - 28
B390 2641	Guide Plate:Vertical Transport	7 - 11
B390 2709	Lever:Lift Motor:Paper Bank:Ass'y	9 - 3
B390 2756	Joint:Shaft:Rise:Ass'y	11 - 23
B390 2781	Bracket:Lever:Pressure:Ass'y	11 - 17
B390 2785	Shaft:Lock:Paper Feed Roller	7 - 26
B390 2810	Bracket:Dc Motor:Peen	11 - 22
B390 2815	Bracket:Rise:1:Ass'y	11 - 9
B390 2821	Tensioner:Ass'y	11 - 1
B390 2831	Friction Pad:Stinger:Adhesion	5 - 22
B390 2840	Shaft:Dc Motor:Ass'y	9 - 9
B390 2854	Shaft:Rise:Tray Bottom Plate:Press Fit	5 - 21
B390 2865	Shaft:Roller:Rise	5 - 19
B390 2870	Spring Plate:Paper Size Sensor:Ass'y	5 - 24
B390 2893	Lever:Rise:Paper Volume Sensor:Bank:Peen	11 - 10
B390 2895	Lever:Dc Motor:Bank:Peen	9 - 17
B390 4351	Screw:Fix:Tray:Exit	3 - 33
B390 5110	PCB:Bank:Ass'y	9 - 23
B390 5340	Harness:Heater:Ass'y	3 - 7
B390 6300	Option:Heater:Bali-b	3 - 40
B390 7341	Paper Tray:Paper Bank:Bali-b:EXP:Ass'y	5 - *

Part No.	Description	Page and Index No.
A232 2987	Roller - Paper Tray	5 - 12
A267 2588	Shoe - Right Rail	7 - 16
A267 2589	Shoe - Supporter	3 - 9
A267 2596	Right Drive Guard	13 - 16
A267 2751	Paper Feed Roller	7 - 2
A267 2766	Tension Spring - Stopper	11 - 5
A267 2767	Torsion Spring - Joint	11 - 11
A267 2770	Vibrating Plate	11 - 6
A267 2771	Tension Spring - Main	9 - 2
A267 2772	Tension Spring - Sub	11 - 15
A267 2786	Lock Lever - Feed Roller	7 - 23
A267 2787	Tension Spring - Lock Lever	7 - 24
A267 2794	Sub Pressure Lever	11 - 16
A267 2803	Feeler - Paper End Sensor	7 - 6
A267 2834	Pressure Spring - Friction Pad	5 - 23
A267 2844	Compression Spring - Return	9 - 7
A267 2845	Bushing - DC Motor Shaft	9 - 8
A267 2846	Holder - Spring	9 - 6
A267 2847	Bushing - Motor Shaft	9 - 4
A267 2847	Bushing - Motor Shaft	7 - 25
A267 2853	End Fence	5 - 7
A267 2857	Spring Plate - Side Fence	5 - 16
A267 2858	Front Stopper Lever	5 - 4
A267 2859	Side Fence Stopper	5 - 15
A267 2860	Rear Lever Stopper	5 - 14
A267 2864	Roller Bracket	5 - 20
A267 2869	Gear - 16Z	5 - 11
A267 2875	Spring Plate - Slider	5 - 30
A267 2878	Spring Plate - Grounding	5 - 13
A267 2897	Shield - Side Fence	5 - 27
A267 2898	Sheet - Paper Tray Holder	5 - 28
A267 2899	Sponge - Paper Feed Tray	5 - 33
A267 2900	Seal - End Fence	5 - 29
A267 2917	Base Pad	5 - 10
A507 1096	Philips Screw - M5x6	3 - 17

Part No.	Description	Page and Index No.
A860 1195	Film - Guard	3 - 35
A860 1196	Film - Guard	11 - 25
A860 1197	Film - Guard	3 - 37
A860 1197	Film - Guard	11 - 26
A860 1198	Film - Guard-3	11 - 28
A860 1199	Film - Guard-4	11 - 29
A860 2558	Torsion Spring Lever	7 - 22
A860 2559	Cushion Guide Plate	7 - 4
A860 2560	Roller - Guide	7 - 10
A860 2620	Guide Plate - Entrance	3 - 22
A860 2626	Spring Plate - Grounding	3 - 27
A860 2714	Sensor Actuator Seal	9 - 24
A860 2715	Sensor Actuator Seal 2	9 - 16
A860 2830	Stopper - M6	13 - 7
A860 5310	DC Main Harness	9 - 20
A860 5320	DC Harness - Paper Size Sensor	9 - 19
A860 5330	DC Harness - Interface	9 - 22
A860 5350	DC Harness - Motor	9 - 21
A860 6140	Bracket - Joint	3 - 14
A860 6215	Right Stand	3 - 31
A860 6220	Left Stand	3 - 30
A860 6230	Screw - M3	3 - 32
B024 2660	Vertical Sensor Bracket	7 - 13
B024 2765	Pressure Lever Stopper	11 - 4
B024 2773	Lift Sensor Bracket	11 - 12
B024 2805	Bracket - Paper End Sensor	7 - 7
B024 2842	Bracket - Friction Pad Guide	7 - 18
B024 2850	Paper Tray	5 - 2
B024 2851	Front Side Fence	5 - 3
B024 2852	Rear Side Fence	5 - 17
B024 2856	Lift Plate - Bottom Plate	5 - 18
B024 2861	Bottom Plate	5 - 9
B024 2866	Upper Slider - End Fence	5 - 8
B024 2874	Lower Slider - End Fence	5 - 6
B024 2884	Front Side Fence Assembly	5 - 31

Part No.	Description	Page and Index No.
B024 2885	Rear Side Fence Assembly	5 - 32
B024 2908	Tray Holder Bracket	9 - 12
B024 2910	Tray Bottom Plate	5 - 1
B024 7343	Paper Size Detector	5 - 25
B027 2892	Paper Set Decal	15 - 2
B027 2892	Paper Set Decal	5 - 26
B090 2961	Decal - Paper Size Select	5 - 34
B090 2961	Decal - Paper Size Select	15 - 3
B384 1090	Right Guide Rail	7 - 17
B384 1110	Upper Front Stay	3 - 2
B384 1117	Bracket - Upper Rear Stay	3 - 13
B384 1120	Upper Left Stay	3 - 8
B384 1131	Front Right Bracket	3 - 39
B384 1132	Front Left Bracket	3 - 38
B384 1146	Spring Plate	3 - 11
B384 1161	Interface Board Bracket	9 - 18
B384 1170	Harness Guide	3 - 12
B384 1190	Upper Spring Guard	11 - 24
B384 1191	Lower Spring Guard	11 - 27
B384 1208	Front Upper Cover	3 - 3
B384 1270	Rear Cover	3 - 15
B384 1290	Front Lower Cover	3 - 1
B384 2555	Feed Roller Bracket	7 - 9
B384 2610	Vertical Transport Cover	3 - 21
B384 2720	Main Bracket - Lift Motor	9 - 15
B384 2726	Lift Motor Bracket	9 - 10
B384 2728	Spring Holder Bracket	9 - 5
B384 2840	Bracket - Paper Feed Clutch	13 - 11
B384 2850	Lower Bracket - Paper Feed	13 - 19
B384 2860	Upper Bracket - Paper Feed	13 - 18
B384 2910	Cover - Paper Size Switch	7 - 27
B384 5520	Tray Heater - 15W	3 - 5
G020 2620	Push Switch - Paper Size	7 - 1
G020 5626	Push Switch	7 - 15
G697 1082	Tray Holder	9 - 13

Part No.	Description	Page and Index No.
G697 2677	Spring Plate - Side Fence	5 - 5

Part No.	Description	Page and Index No.
AA00 0401	Decal - High Temperature	3 - 6
AA00 0401	Decal - High Temperature	15 - 1
AA04 3529	Timing Belt - Drive	13 - 20
AA04 3530	Timing Belt	13 - 4
AA06 0799	Tension Spring	13 - 13
AA06 0821	Tension Spring - Drive	11 - 2
AA06 3334	Spring - Vertical Transport	3 - 25
AA08 0249	Bushing - Vertical Transport	3 - 23
AA08 0252	Bushing - M4	7 - 19
AA08 2070	Bushing - 8x16x7	11 - 8
AA13 2205	Spacer - Timing Belt	13 - 5
AA13 2205	Spacer - Timing Belt	11 - 20
AA13 2207	Spacer - M7	9 - 1
AA13 2207	Spacer - M7	11 - 14
AA14 1713	Shaft:Paper Feed Roller	7 - 5
AA14 1714	Shaft:Paper Feed Roller:No.2	7 - 12
AA14 3508	Flat Knob Screw - M4x10	3 - 34
AB01 1409	Gear - 23Z	13 - 8
AB01 1410	Gear - 44Z	13 - 2
AB01 7506	Gear - 59Z/33Z	11 - 7
AB01 7507	Gear - 30Z/24Z	13 - 6
AB03 0564	Pulley - M17	11 - 3
AB03 0627	Timing Pulley - 18T	13 - 14
AB03 0635	Timing Pulley - Paper Feed	13 - 17
AB03 0636	Timing Pulley - Drive	11 - 19
AB03 0637	Timing Pulley - 24T/25Z	13 - 3
AF02 0476	Vertical Transport Roller	7 - 20
AF02 2118	Pull Out Roller - Option Tray	3 - 26
AG07 0014	Magnet Catch	3 - 24
AH01 2026	Caster	3 - 16
AW02 0141	Photointerruptor	7 - 8
AW02 0141	Photointerruptor	9 - 14
AW02 0141	Photointerruptor	11 - 13
AW02 0173	Photointerruptor:Vertical Transport	7 - 14
AX04 0220	DC Motor:Paper Feed:Ass'y	9 - 11

Part No.	Description	Page and Index No.
AX06 0313	DC Motor:Brushless Motor:Ns	11 - 21
AX20 0290	Magnetic Clutch:0.25n M:Z38	13 - 9
AX20 0291	Magnetic Clutch:0.5n M:Z39:Ogr	13 - 10

Part No.	Description	Page and Index No.
0314 0140N	Pan Head Screw:M4x14	7 - 106
0354 0060N	Screw-m4x6	5 - 102
0450 3010N	Tapping Screw - M3x10	3 - 105
0450 4008N	Tapping Screw - M4x8	5 - 101
0450 4020N	Tapping Screw - M4x20	9 - 102
0451 3006B	Tapping Screw - M3x6	3 - 101
0451 3006B	Tapping Screw - M3x6	13 - 104
0451 3006B	Tapping Screw - M3x6	7 - 104
0451 3006B	Tapping Screw - M3x6	11 - 103
0451 3006N	Tapping Screw - 3x6	9 - 104
0451 3008N	Tapping Screw - M3x8	11 - 105
0451 3008N	Tapping Screw - M3x8	3 - 102
0453 3008N	Binding Self Tapping Screw:3x8	3 - 103
0594 0080N	Hexagonal Set Screw - M4x8	9 - 108
0720 0030E	Retaining Ring - M3	5 - 103
0720 0040E	Retaining Ring - M4	11 - 102
0720 0040E	Retaining Ring - M4	7 - 105
0720 0060E	Retaining Ring - M6	5 - 104
0720 0060E	Retaining Ring - M6	13 - 101
0720 0060E	Retaining Ring - M6	11 - 101
0727 0060E	Retaining Ring - M6	11 - 107
0727 0060E	Retaining Ring - M6	9 - 101
0801 0150	Philips Screw - M4x8	11 - 104
0801 0150	Philips Screw - M4x8	9 - 103
0802 5276	Tapping Screw With Washer - M3x6	7 - 101
0802 5276	Tapping Screw With Washer - M3x6	3 - 106
0805 0083	Retaining Ring - M4	5 - 105
0805 0092	Retaining Ring - 3m	7 - 102
0950 3006N	Screw:Spring Washer:M3x6	3 - 104
0951 3006N	Screw - M3X6	13 - 105
1105 0267	Harness Clamp - YMC-10-0	9 - 107
1105 0267	Harness Clamp - YMC-10-0	7 - 103
1105 0267	Harness Clamp - YMC-10-0	13 - 103
1105 0283	Clamp	7 - 107
1105 0290	Harness Clamp - Horizontal	9 - 106

Part No.	Description	Page and Index No.
1105 0310	Harness Clamp - LWS-1S	9 - 105
1105 0310	Harness Clamp - LWS-1S	13 - 102
1105 0328	Harness Clamp - ES-0505	7 - 108
1105 0462	Harness Clamp	11 - 106

Part No.	Description	Page and Index No.
5053 0447	Bushing - 6mm	7 - 3
5053 0447	Bushing - 6mm	13 - 12
5215 2621	Snap Ring - M6	11 - 18
5215 2621	Snap Ring - M6	13 - 1
5447 2681	Snap Ring	7 - 21